

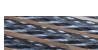


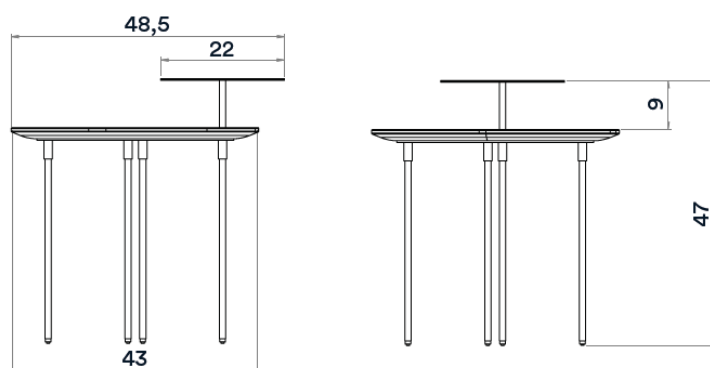
-  Terracotta Steel
-  Sahara Marble
-  Carbon

Care instructions:

- Marble: dust before cleaning. Moisten a cloth with warm water and black soap.
- Carbon: clean with glass cleaner or simply with soapy water.
- Steel: use soapy water and a dry cloth.



The Eclipse night table is sober yet refined. The accompanying, painted Terracotta tablet adds an elegant detail that will contrast with and draw attention to the noble Sahara marble top.



Materials: sahara marble tray, terracota steel shelf, carbon base

Dimensions : D. 43 cm, H. 47 cm

Weight: 19 kg



Marble is a porous material that does not tolerate heat or liquids. In case of incident, clean immediately with hot water and dry with a dry cloth.